

# PA-SOD-2006-D310-xx/2 Data Sheet

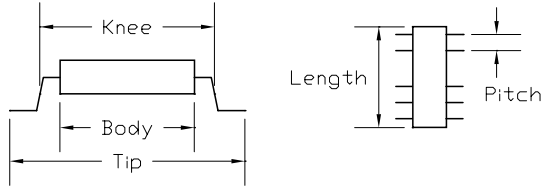
## 8-20 pin SO socket/8-20 pin SO-Plugs

### Supported Device/Footprints

Using this adapter, various pin count SO packages with a body width of 4.9mm - 5.4mm and lead pitch of 1.27mm can be socketed over their PCB footprints.

### Device Dimensions

This socket can accept devices of the following dimensions:

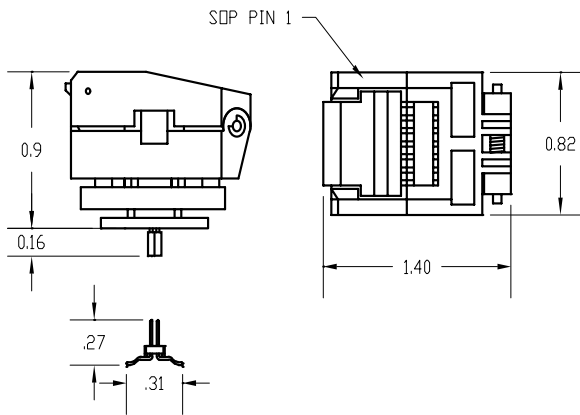


Body mm (inches)			Knee mm (inches)		
min.	typ.	max.	min.	typ.	max.
4.9	5.3	5.4	n/a	6.8	7.1
(0.193)	(0.208)	(0.213)		(0.268)	(0.279)

Tip mm (inches)			Body Length	Lead Pitch
min.	typ.	max.	n/a	1.27
7.65	7.8	n/a		(0.050)
(0.301)	(0.307)			

### Adapter Dimensions



### Adapter Construction

The adapter is made up of 2 sub-assemblies. They assemble via connectors making the adapter modular. This way the sub-assemblies can be replaced when they wear out.

When disassembling the adapter take care not to bend the pins. When reassembling the adapter note the pin 1 indicators to align the parts correctly.

The following chart lists the adapters described by this datasheet and their subassemblies. Other SO-Plugs will also mate with this adapter, contact us if you want assistance matching plugs to this adapter.

Adapter	Test Socket	Board	Plugs
PA-SOD-2006-D310-20/2	20SD-06	20SOD06	SOF-D310-20/2
PA-SOD-2006-D310-18/2	18(20)SD-06	20SOD06	SOF-D310-18/2
PA-SOD-2006-D310-16/2	16(20)SD-06	20SOD06	SOF-D310-16/2
PA-SOD-2006-D310-14/2	14(20)SD-06	20SOD06	SOF-D310-14/2
PA-SOD-2006-D310-08/2	08(20)SD-06	20SOD06	SOF-D310-08/2

Other SO-Plugs will also mate with this adapter, contact us if you want assistance matching plugs to this adapter.

### Test Sockets

LSC #	Style	Mfgr/Pn
20SD-06	Lidded ZIF	Enplas FP-20-1.27-06
xx(20)SD-06	Lidded ZIF	Enplas FP-xx(20H)-1.27-06

### Notes

1. The xx(20)SD-06 sockets are depopulated 20SD-06 sockets. A "dam" is added to prevent incorrect alignment of the device.
2. The 20 pin version can be used for the reduced pin counts. The test socket has divider fingers that keep the device leads on their contacts. With modest care a reduced pin count device can be correctly aligned in the 20 pin test socket.
3. For all versions of the adapter, the board provides 20 positions to receive the SO-Plug. When using plugs with less than 20 pins orient the plug and the device, **away** from the pin 1 end of the board.

### Wiring

Wiring is 1 to 1. Pin 1 of the SO device is wired to pin 1 of the plug. Pin 2 to pin 2 and so on around the adapter.



**Adapters-Plus Inc.**

P.O. BOX 900  
Tracy, Ca 95378  
ph.209-839-0200  
fax.209-839-0235  
email: sales@adapt-plus.com

PA-SOD-2006-D310-xx/2 Data Sheet  
Doc: SOD2006-2.DOC  
Rev 06/30/2005  
Page 1 of 1