

PA-MACH84(-Z, -LD, -C3, -A4) Data Sheet

84 pin PLCC socket/28 pin DIP 0.6" plug

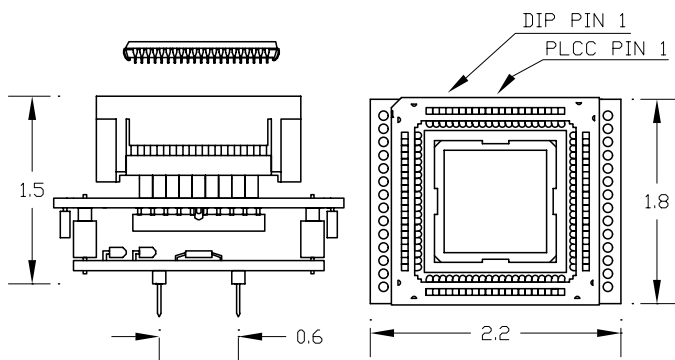
Supported Device/Footprints

Using this adapter, the AMD MACH 130, 230 & 435 in either PLCC or CLCC packages can be programmed on 28 pin DIP programmers.

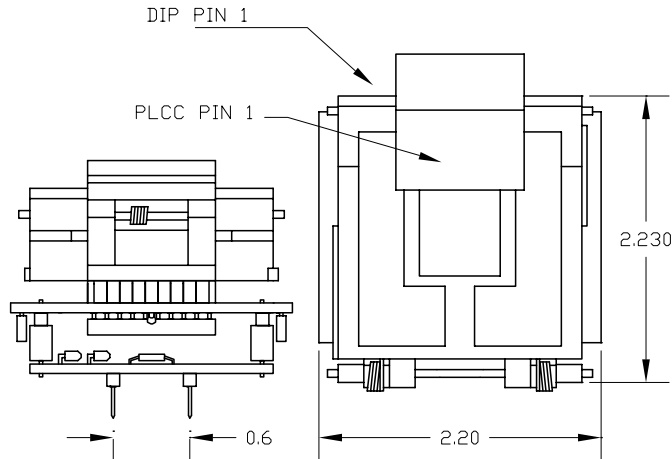
| Mfgr | Device | | Footprint | |
|------|------------------------|---------------|------------------------|------------|
| | Device | Package | Device | Package |
| AMD | MACH 130, 230 & 435 | PLCC, CLCC | MACH 130, 230 & 435 | 28 pin DIP |

Note: The PA-MACH84-A4 only supports the '435.

Adapter Dimensions



PA-MACH84



PA-MACH84Z

Adapter Parts & Part Numbers

The following chart shows the various socket and board part numbers that make up these adapters.

| Adapter | Socket | Top Board | Bottom Board |
|---------------|--------|-----------|--------------|
| PA-MACH84 | 84-303 | MACH84 | 28-170 |
| PA-MACH84-A4 | 84-303 | MACH84 | 28-170-A4 |
| PA-MACH84-C3 | 84-303 | MACH84 | 28-170-C3 |
| PA-MACH84-LD | 84-303 | MACH84 | 28-170-LDM84 |
| PA-MACH84Z | 84-401 | MACH84Z | 28-170 |
| PA-MACH84Z-A4 | 84-401 | MACH84Z | 28-170-A4 |
| PA-MACH84Z-C3 | 84-401 | MACH84Z | 28-170-C3 |
| PA-MACH84Z-LD | 84-401 | MACH84Z | 28-170-LDM84 |

Adapter Construction

The adapter is made up of 3 sub-assemblies. They assemble via connectors making the adapter modular. This way the sub-assemblies can be replaced when they wear out.

When disassembling the adapter take care not to bend the pins. When reassembling the adapter note the pin 1 indicators to align the parts correctly.

Test Socket

PLCC Auto-Eject test socket:

Yamaichi Part #: IC120-0844-303 LSC Part #: 84-303

PLCC ZIF Lidded socket:

Yamaichi Part #: IC51-0844-401 LSC Part #: 84-401

MACH84(Z)

Accepts the test socket and connects to the bottom board.

28-170 (--LD, -C3, -A4)

Performs the wiring shown in the Adapter Wiring section. The different versions of the 28-170 are described in the next section.

28-170 Bottom Board Description

| | |
|--------------|--|
| 28-170 | All logic programmers not listed below |
| 28-170-LDM84 | Logical Devices Inc. programmers except the ChipMaster 3000 |
| 28-170-C3 | Logical Devices Inc. ChipMaster 3000 programmer |
| 28-170-A4 | Logical Devices Inc. ChipMaster 2000 & EE Tools-Allmax programmers |



Adapters-Plus Inc.

P.O. BOX 900
Tracy, Ca 95378
ph.209-839-0200
fax.209-839-0235
email: sales@adapt-plus.com

www.adapt-plus.com

MACH84(-Z, -LD, -C3, -A4) Data Sheet

Doc: MACH84.DOC

Rev 6/1/04

Page 1 of 2

Adapter Wiring

The following chart shows the connections from the PLCC device to the adapter's DIP plug.

| PLCC | PA-MACH-84 PA-MACH84-LD | | PA-MACH84-C3 | | PA-MACH84-A4 | |
|------|----------------------------|------|--------------|------|--------------|------|
| | Signal | Pgmr | Signal | Pgmr | Signal | Pgmr |
| 1 | GND | 14 | GND | 12 | GND | 14 |
| 2 | Vcc | 28 | Vcc | 22 | Vcc | 28 |
| 3 | 10K | 14 | 10K | 12 | 10K | 14 |
| 4 | 10K | 14 | 10K | 12 | 10K | 14 |
| 5 | 10K | 14 | 10K | 12 | 10K | 14 |
| 6 | 10K | 14 | 10K | 12 | 10K | 14 |
| 7 | 10K | 14 | 10K | 12 | 10K | 14 |
| 8 | 10K | 14 | 10K | 12 | 10K | 14 |
| 9 | 10K | 14 | 10K | 12 | 10K | 14 |
| 10 | -LD | 16 | - | 1 | - | 16 |
| 11 | GND | 14 | GND | 12 | GND | 14 |
| 12 | -LD | 17 | - | 2 | - | 17 |
| 13 | 10K | 14 | 10K | 12 | 10K | 14 |
| 14 | 10K | 14 | 10K | 12 | 10K | 14 |
| 15 | 10K | 14 | 10K | 12 | 10K | 14 |
| 16 | 10K | 14 | 10K | 12 | 10K | 14 |
| 17 | 10K | 14 | 10K | 12 | 10K | 14 |
| 18 | 10K | 14 | 10K | 12 | 10K | 14 |
| 19 | -LD | 7 | - | 3 | 4.7K | 14 |
| 20 | -LD | 1 | - | 4 | - | 1 |
| 21 | Vcc | 28 | Vcc | 22 | Vcc | 28 |
| 22 | GND | 14 | GND | 12 | GND | 14 |
| 23 | - | 2 | - | 5 | - | 2 |
| 24 | -LD | 8 | - | 6 | 4.7K | 14 |
| 25 | -LD | 9 | - | 7 | 4.7K | 14 |
| 26 | 10K | 14 | 10K | 12 | 10K | 14 |
| 27 | 10K | 14 | 10K | 12 | 10K | 14 |
| 28 | 10K | 14 | 10K | 12 | 10K | 14 |
| 29 | 10K | 14 | 10K | 12 | 10K | 14 |
| 30 | 10K | 14 | 10K | 12 | 10K | 14 |
| 31 | -LD | 18 | - | 8 | - | 18 |
| 32 | GND | 14 | GND | 12 | GND | 14 |
| 33 | -LD | 19 | - | 9 | - | 19 |
| 34 | -LD | 15 | - | 10 | 4.7K | 14 |
| 35 | 10K | 14 | 10K | 12 | 10K | 14 |
| 36 | 10K | 14 | 10K | 12 | 10K | 14 |
| 37 | 10K | 14 | 10K | 12 | 10K | 14 |
| 38 | - | 12 | - | 12 | 4.7K | 14 |
| 39 | 10K | 14 | 10K | 12 | 10K | 14 |
| 40 | 10K | 14 | 10K | 12 | 10K | 14 |
| 41 | - | 3 | - | 13 | - | 3 |
| 42 | Vcc | 28 | Vcc | 22 | Vcc | 28 |

| PLCC | PA-MACH84 PA-MACH84-LD | | PA-MACH84-C3 | | PA-MACH84-A4 | |
|------|---------------------------|------|--------------|------|--------------|------|
| | Signal | Pgmr | Signal | Pgmr | Signal | Pgmr |
| 43 | GND | 14 | GND | 12 | GND | 14 |
| 44 | VCC | 28 | VCC | 22 | VCC | 28 |
| 45 | 10K | 14 | 10K | 12 | 10K | 14 |
| 46 | 10K | 14 | 10K | 12 | 10K | 14 |
| 47 | 10K | 14 | 10K | 12 | 10K | 14 |
| 48 | 10K | 14 | 10K | 12 | 10K | 14 |
| 49 | 10K | 14 | 10K | 12 | 10K | 14 |
| 50 | 10K | 14 | 10K | 12 | 10K | 14 |
| 51 | 10K | 14 | 10K | 12 | 10K | 14 |
| 52 | -LD | 20 | - | 14 | - | 20 |
| 53 | GND | 14 | GND | 12 | GND | 14 |
| 54 | -LD | 21 | - | 15 | - | 21 |
| 55 | 10K | 14 | 10K | 12 | 10K | 14 |
| 56 | 10K | 14 | 10K | 12 | 10K | 14 |
| 57 | 10K | 14 | 10K | 12 | 10K | 14 |
| 58 | 10K | 14 | 10K | 12 | 10K | 14 |
| 59 | 10K | 14 | 10K | 12 | 10K | 14 |
| 60 | 10K | 14 | 10K | 12 | 10K | 14 |
| 61 | - | 10 | - | 16 | 4.7K | 14 |
| 62 | -LD | 2 | - | 17 | - | 4 |
| 63 | VCC | 28 | VCC | 22 | VCC | 28 |
| 64 | GND | 14 | GND | 12 | GND | 14 |
| 65 | - | 5 | - | 18 | - | 5 |
| 66 | -LD | 11 | - | 19 | 4.7K | 14 |
| 67 | 10K | 14 | 10K | 12 | 10K | 14 |
| 68 | 10K | 14 | 10K | 12 | 10K | 14 |
| 69 | 10K | 14 | 10K | 12 | 10K | 14 |
| 70 | 10K | 14 | 10K | 12 | 10K | 14 |
| 71 | 10K | 14 | 10K | 12 | 10K | 14 |
| 72 | 10K | 14 | 10K | 12 | 10K | 14 |
| 73 | -LD | 22 | - | 20 | - | 22 |
| 74 | GND | 14 | GND | 12 | GND | 14 |
| 75 | -LD | 23 | - | 21 | - | 23 |
| 76 | 10K | 14 | 10K | 12 | 10K | 14 |
| 77 | 10K | 14 | 10K | 12 | 10K | 14 |
| 78 | 10K | 14 | 10K | 12 | 10K | 14 |
| 79 | 10K | 14 | 10K | 12 | 10K | 14 |
| 80 | 10K | 14 | 10K | 12 | 10K | 14 |
| 81 | 10K | 14 | 10K | 12 | 10K | 14 |
| 82 | 10K | 14 | 10K | 12 | 10K | 14 |
| 83 | - | 6 | - | 23 | - | 6 |
| 84 | VCC | 28 | VCC | 22 | VCC | 28 |

VCC to GND .1uf bypass

-LD represents a 470 ohm series resistor on the PA-MACH84-LD or a direct connection of the PA-MACH84.



Adapters-Plus Inc.

P.O. BOX 900
Tracy, Ca 95378
ph.209-839-0200
fax.209-839-0235
email: sales@adapt-plus.com

www.adapt-plus.com