

# PA-L2032-44(Z) Data Sheet

44 pin PLCC socket/28 pin DIP 0.6" plug

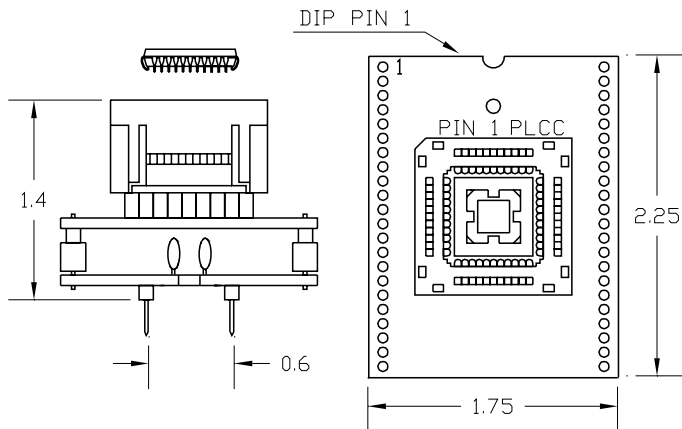
## Supported Device/Footprints

This adapter allows programming of the several Lattice 44 pin PLCC devices in the 28 pin DIP footprint specified by Lattice.

This adapter is compatible with any programmer that conforms to the Lattice specification.

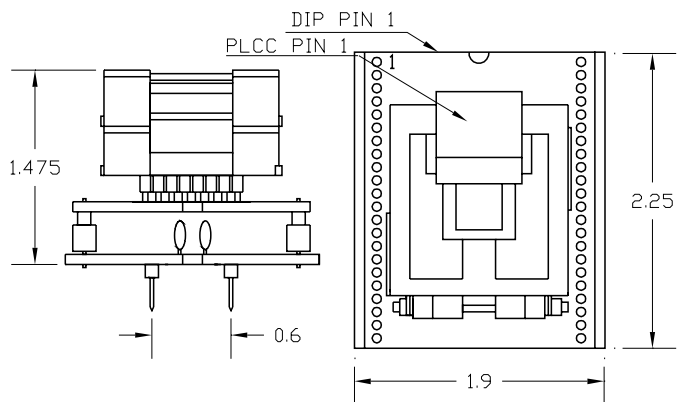
Mfgr	Device	Package	Footprint
Lattice	(is)pLSI1016	PLCC	Lattice 28 pin DIP programming specification
"	(is)pLSI1016E	"	"
"	(is)pLSI2032	"	"

## Adapter Dimensions



Press rim to open socket, Press device to close

PA-L2032-44



PA-L2032-44Z

## Adapter Parts & Part Numbers

The following chart shows the various socket and board part numbers that make up these adapters.

Adapter	Test Socket	Top Board	Bottom Board
PA-L2032-44	44-106 or 44-306	44PL2 -1 or 44PL2-3	L2032-44
PA-L2032-44Z	44-400	44PL2-Z	L2032-44

## Adapter Construction

The adapter is made up of 3 sub-assemblies. They assemble via connectors making the adapter modular. This way the sub-assemblies can be replaced when they wear out.

When disassembling the adapter take care not to bend the pins. When reassembling the adapter note the pin 1 indicators to align the parts correctly.

### Test Socket

PLCC Auto-Eject test socket:

Yamaichi Part #: IC 120-0444-106 LSC Part #: 44-106

Yamaichi Part #: IC 120-0444-306 LSC Part #: 44-306

ZIF Lidded socket:

Yamaichi Part #: IC 51-0444-400 LSC Part #: 44-400

44PL2-1, -3, -Z

Accepts the test socket and connects to the bottom board.

L2032-44

Performs the wiring shown in the Adapter Wiring section.

## Adapter Wiring

The following chart shows the connections from the PLCC device to the adapter's DIP plug.

DEVICE	PLUG	PLUG	DEVICE
1	14	13	44
2	5*	12	43
3	N/C	11	42
4	8	10	41
5	N/C	9	40
6	N/C	27	39
7	N/C	N/C	38
8	16	N/C	37
9	N/C	3	36
10	N/C	N/C	35
11	6*	28	34
12	28	1	33
13	4	N/C	32
14	2	17	31
15	N/C	18	30
16	7	N/C	29
17	N/C	N/C	28
18	N/C	N/C	27
19	N/C	N/C	26
20	N/C	N/C	25
21	N/C	15	24
22	N/C	14	23

There are 0.1uf & 0.01uf capacitors between VCC & GND

There is a 0.1uf capacitor between isPEN & GND

\* Connects via a 2K series resistor.



**Adapters-Plus Inc.**

P.O. BOX 900

Tracy, Ca 95378

ph.209-839-0200

fax.209-839-0235

email: sales@adapt-plus.com

www.adapt-plus.com

Rev 1/28/97

Page 1 of 1