

PA756-68Z Data Sheet

68 pin PLCC ZIF socket/40 pin DIP 0.6" plug

Supported Device/Footprints

This adapter allows device programming of several Microchip PIC processors in 68PLCC packages. The adapter's 40 pin DIP footprint is device and programmer specific. It will work with any programmer that supports its programming footprint.

These devices are supported using the indicated footprint.
 Microchip : PIC16C923, PIC16C924, PIC17C752, PIC17C756
 Footprint : 40 DIP, See following sections.

The adapter's wiring is different for the 16C92x and 17C75x. Three jumpers on the adapter convert between those two wirelists. See the Adapter Wiring section.

Compatibility Issues

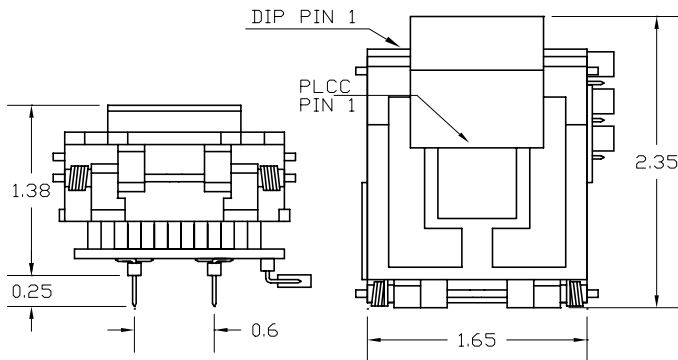
This adapter is a direct replacement for the Microchip AC164024 adapter. It provides the same wiring and same style test socket.

For this adapter to work, your programmer MUST provide a menu selection for the device. That menu selection must expect this adapter or the Microchip AC164024 adapter.

Known compatible programmers:
 Microchip: PICS tartPlus
 EE Tools: TopMax

Please contact LSC to add programmers you find to be compatible.

Adapter Dimensions



PA756-68Z

Adapter Construction

The adapter is made up of 2 sub-assemblies. They assemble via connectors making the adapter modular. This way the sub-assemblies can be replaced when they wear out.

When disassembling the adapter take care not to bend the pins. When reassembling the adapter note the pin 1 indicators to align the parts correctly.

Test Socket, PLCC Lidded ZIF:
 Yamaichi Part #: IC51-0684-390 LSC Part #: 68-390

756-68Z

Accepts the test socket and performs the wiring shown in the Adapter Wiring section. Contains jumpers to configure the adapter for 16C92x vs 17C75x devices.

Adapter Wiring

The following chart shows the connections from the PLCC device to the adapter's DIP plug. There are two tables. The jumper settings determine the table to use.

Jumper Settings

Devices	J2	J3	J4
PIC16C92x	2-3	2-3	2-3
PIC17C75x	1-2	1-2	1-2

Jumper names and settings match those on the Microchip AC164024 adapter.

PIC 16C92x wiring:

PLCC	DIP	PLCC	DIP	PLCC	DIP	PLCC	DIP
2	1	23	10,31	50	19	62	8
3	2	36	10,31	53	10,31	63	7
7	12	37*	6,11	54	13	64*	6,11
16	32	43	22	55	16	65*	39
17	27	44	25	56	15	66	4,40
18*	6,11	45	24	57	14	67	3
19	10,31	46	23	58	12	68	10,31
20*	6,11	47	17	59*	6,11		
21	12	48	18	60	26		
22*	6,11	49*	6,11	61	9		

PIC 17C75x wiring:

PLCC	DIP	PLCC	DIP	PLCC	DIP	PLCC	DIP
2	1	23	10,31	50	19	62	8
3	2	36	10,31	53	10,31	63	7
7	12	37*	1	54	13	64*	6
16	32	43	22	55	16	65*	5
17	27	44	25	56	15	66	4,40
18*	11	45	24	57	14	67	3
19	10,31	46	23	58	12	68	10,31
20*	1	47	17	59*	11		
21	12	48	18	60	26		
22*	1	49*	1	61	9		

* PLCC pin connected differently between tables.
 All other PLCC and DIP pins are NOT Connected.