

PA592-68(Z) Data Sheet

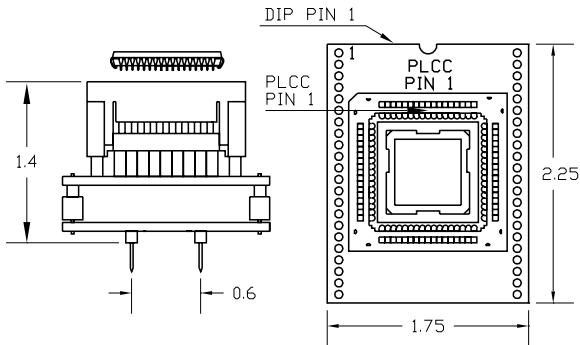
68 pin PLCC socket/40 pin DIP 0.6" plug

Supported Device/Footprints

Using this adapter, the 87C592 microcontroller in either PLCC or CLCC package can be programmed on 40 pin DIP programmers.

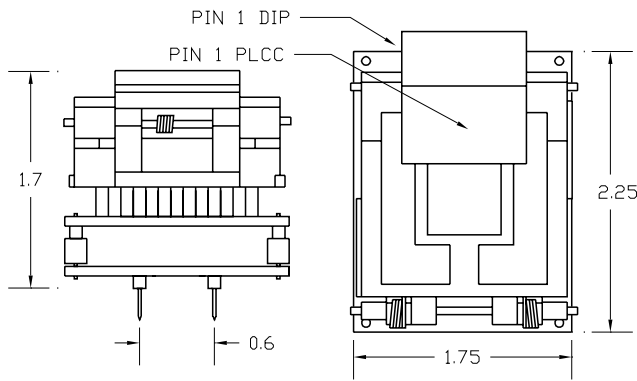
Mfgr	Device	Package	Device	Footprint Plug
Severl	87C592	PLCC, CLCC	87C592	40 pin DIP

Adapter Dimensions



Press device to close, press rim to open

PA592-68



PA592-68Z

Adapter Parts & Part Numbers

The following chart shows the various socket and board part numbers that make up these adapters.

Adapter	Socket	Top Board	Bottom Board
PA592-68	68-304	592-68	51BASE
PA592-68Z	68-390	592-68Z	51BASE

Adapter Construction

The adapter is made up of 3 sub-assemblies. They assemble via connectors making the adapter modular. This way the sub-assemblies can be replaced when they wear out.

When disassembling the adapter take care not to bend the pins. When reassembling the adapter note the pin 1 indicators to align the parts correctly.

Test Socket

PLCC Auto-Eject test socket:

Yamaichi Part #: IC120-0684-304

LSC #: 68-304

Lidded ZIF test socket

Yamaichi Part #: IC51-0684-390

LSC #: 68-390

592-68, -Z

Accepts the test socket and connects to the bottom board.

51BASE

Performs the wiring shown in the Adapter Wiring section.

Adapter Wiring

The following chart shows the connections from the PLCC device to the adapter's DIP plug.

DEVICE	SIGNAL	PLUG	PLUG	SIGNAL	DEVICE
1	P5.0	-	-	P5.1	68
2	VCC	40	-	P5.2	67
3	STADC	-	-	P5.3	66
4	PWM0	-	-	P5.4	65
5	PWM1	-	-	P5.5	64
6	EW	-	-	P5.6	63
7	P4.0	-	-	P5.7	62
8	P4.1	-	-	AVDD	61
9	P4.2	-	-	AVSS	60
10	P4.3	-	-	AVREF+	59
11	P4.4	-	-	AVREF-	58
12	P4.5	-	-	CRX0	57
13	P4.6	-	-	CRX1	56
14	P4.7	-	-	RFOUT	55
15	RESET	9	39	P0.0/D0	54
16	P1.0/A0	1	38	P0.1/D1	53
17	P1.1/A1	2	37	P0.2/D2	52
18	P1.2/A2	3	36	P0.3/D3	51
19	P1.3/A3	4	35	P0.4/D4	50
20	P1.4/A4	5	34	P0.5/D5	49
21	P1.5/A5	6	33	P0.6/D6	48
22	GND	20	32	P0.7/D7	47
23	P1.6/A6	7	31	VPP/EA*	46
24	P1.7/A7	8	30	PGM*	45
25	P3.0	10	29	PSEN*	44
26	P3.1	11	28	P2.7	43
27	P3.2	12	27	P2.6	42
28	P3.3	13	26	P2.5	41
29	P3.4	14	25	P2.4/A12	40
30	P3.5	15	24	P2.3/A11	39
31	P3.6	16	23	P2.2/A10	38
32	P3.7	17	22	P2.1/A9	37
33	X2	18	21	P2.0/A8	36
34	X1	19	20	GND	35



Adapters-Plus Inc.

P.O. BOX 900
Tracy, Ca 95378
ph.209-839-0200
fax.209-839-0235
email: sales@adapt-plus.com

www.adapt-plus.com