

PA550-40 & PA550-44(Z) Data Sheet

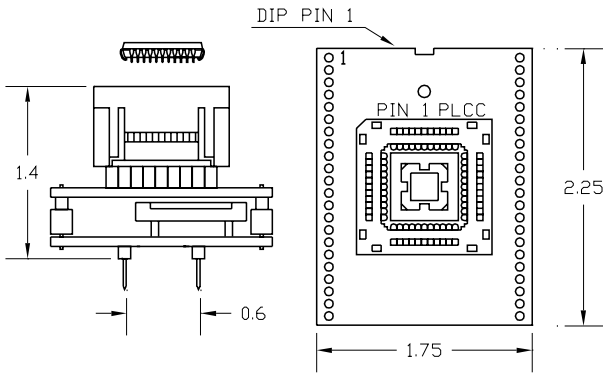
44 pin PLCC socket and 40 pin DIP ZIF socket/40 pin DIP 0.6" plug

Supported Device/Footprints

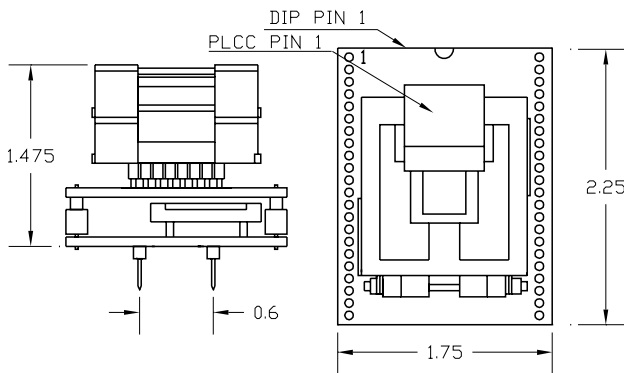
This adapter allows programming of the Philips 87C550 device in either the DIP or PLCC package on programmers which handle an 87C51 40 pin DIP device. It includes the PA550-40.

Mfgr	Device		Programmer	
	Device	Package	Device	Plug
Philips	87C550	PLCC or DIP	87C51	40 Pin DIP

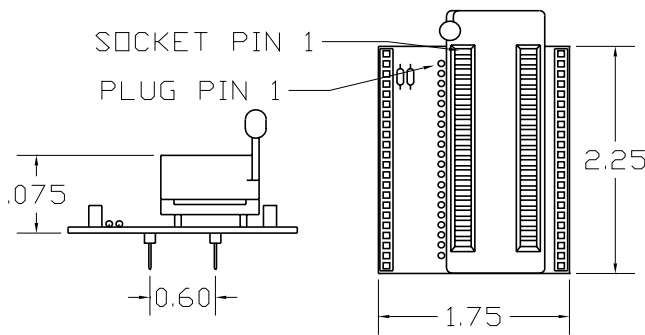
Adapter Dimensions



PA550-44



PA550-44Z



PA550-40

Adapter Parts & Part Numbers

The following chart shows the various socket and board part numbers that make up these adapters.

Adapter	Test Socket	Top Board	Bottom Board
PA550-40	40ADZ	550BASE	None
PA550-44	44-106 or 44-306	44PL2-1 or 44PL2-3	550BASE
PA550-44Z	44-400	44PL2-Z	550BASE

Adapter Construction

The adapter is made up of 3 sub-assemblies. They assemble via connectors making the adapter modular. This way the sub-assemblies can be replaced when they wear out.

When disassembling the adapter take care not to bend the pins. When reassembling the adapter note the pin 1 indicators to align the parts correctly.

Test Socket

PLCC Auto-Eject test socket:

Yamaichi Part #: IC120-0444-106

LSC Part #: 44-106

Yamaichi Part #: IC120-0444-306

LSC Part #: 44-306

ZIF Lidded socket:

Yamaichi Part #: IC51-0444-400

LSC Part #: 44-400

DIP ZIF socket:

Aries Part #: 40-6554-11

LSC Part #: 40ADZ

44PL2-1, -3, -Z

Accepts the test socket and connects to the bottom board.

550BASE

Performs the wiring shown in the Adapter Wiring section.

Adapter Wiring

The following chart shows the connections from the PLCC or DIP device to the adapter's DIP plug.

PLCC DEVICE	DIP DEVICE	SIGNAL	PLUG	PLUG	SIGNAL	DIP DEVICE	PLCC DEVICE
1	1	Vcc	40	40	Vcc	40	44
2	1	Vcc	40	39	P.0	39	43
3	2	Gnd	20	38	P0.1	38	42
4	2	Gnd	20	37	P0.2	37	41
5	3	10K	40	36	P0.3	36	40
6	4	10K	40	35	P0.4	35	39
7	5	P1.2	10	34	P0.5	34	38
8	6	P1.3	11	33	P0.6	33	37
9	7	P1.4	12	32	P0.7	32	36
10	8	P1.5	13	31	Vpp	31	35
11	N/C	P1.6	14	30	PROG	30	34
12	N/C	P1.7	15	29	PSEN	29	33
13	9	RESET	9	28	P2.7	28	32
14	10	P3.0	1	27	P2.6	27	31
15	11	P3.1	2	26	P2.5	26	30
16	12	P3.2	3	25	P2.4	25	29
17	13	P3.3	4	24	P2.3	24	28
18	14	P3.4	5	23	P2.2	23	27
19	15	P3.5	6	22	P2.1	22	26
20	16	P3.6	7	21	P2.0	21	25
21	17	P3.7	8	20	GND	20	24
22	18	X2	18	19	X1	19	23



Adapters-Plus Inc.

P.O. BOX 900
Tracy, Ca 95378
ph.209-839-0200
fax.209-839-0235
email: sales@adapt-plus.com

www.adapt-plus.com