

PA451-68(Z) Data Sheet

68 pin PLCC socket/40 pin DIP 0.6" plug

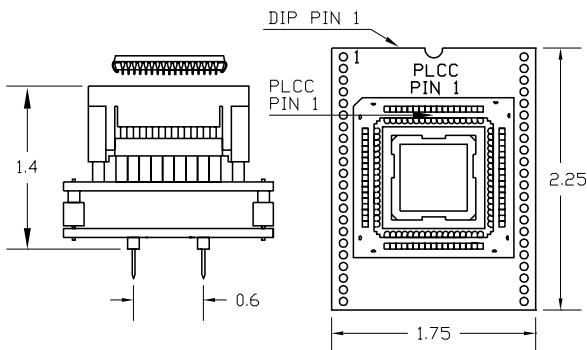
Supported Device/Footprints

The PA451-68 is designed to program the 87C451 (68PLCC or CLCC) on programmers capable of programming an 87C51 (40 pin DIP, 12.75Vpp). To program an 87C451 select 87C51 on the programmer. Install the PA451-68 into the 40 pin DIP ZIF socket. Program, verify and read the 87C451 as if it were an 87C51.

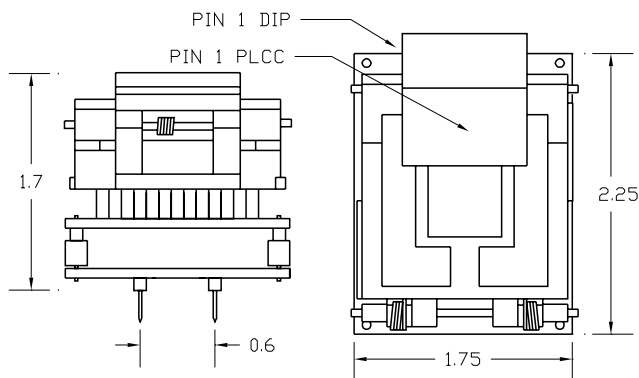
Memory Map

Both the 87C451 and the 87C51 contain 4K bytes of EPROM. Using the 87C51 algorithm, all of the '451's EPROM (0000-0FFF) can be programmed.

Adapter Dimensions



Press device to close, press rim to open



Adapter Parts & Part Numbers

The following chart shows the various socket and board part numbers that make up these adapters.

Adapter	Test Socket	Top Board	Bottom Board
PA451-68	68-304	451-68	51BASE
PA451-68Z	68-390	451-68Z	51BASE

Adapter Construction

The adapter is made up of 3 sub-assemblies. They assemble via connectors making the adapter modular. This way the sub-assemblies can be replaced when they wear out.

When disassembling the adapter take care not to bend the pins. When reassembling the adapter note the pin 1 indicators to align the parts correctly.

Test Socket

PLCC Auto-Eject test socket:

Yamaichi Part #: IC120-0684-304 LSC Part #: 68-304

Lidded ZIF test socket

Yamaichi Part #: IC51-0684-390 LSC Part #: 68-390

451-68, -Z

Accepts the test socket and connects to the bottom board.

51BASE

Provides the DIP plug.

Adapter Wiring

The following chart shows the connections from the PLCC device to the adapter's DIP plug.

87C451-PLCC	Signal	87C51-DIP	87C51-DIP	Signal	87C451-PLCC
1	VPP/EA-	31	30	ALE/PG M-	68
2	P2.0/A8	21	29	PSEN-	67
3	P2.1/A9	22	-	P6.7	66
4	P2.2/A10	23	-	P6.6	65
5	P2.3/A11	24	-	P6.5	64
6	P2.4/A12	25	-	P6.4	63
7	P2.5	26	-	P6.3	62
8	P2.6	27	-	P6.2	61
9	P2.7	28	-	P6.1	60
10	P0.7/D7	32	-	P6.0	59
11	P0.6/D6	33	-	AFLAG	58
12	P0.5/D5	34	-	BFLAG	57
13	P0.4/D4	35	-	IDS-	56
14	P0.3/D3	36	-	ODS-	55
15	P0.2/D2	37	20	GND	54 (-)
16	P0.1/D1	38	19	X1	53
17	P0.0/D0	39	18	X2	52
18 (+)	VCC	40	-	P5.7	51
19	P4.7	-	-	P5.6	50
20	P4.6	-	-	P5.5	49
21	P4.5	-	-	P5.4	48
22	P4.4	-	-	P5.3	47
23	P4.3	-	-	P5.2	46
24	P4.3	-	-	P5.1	45
25	P4.1	-	-	P5.0	44
26	P4.0	-	17	P3.7	43
27	P1.0/A0	1	16	P3.6	42
28	P1.1/A1	2	15	P3.5	41
29	P1.2/A2	3	14	P3.4	40
30	P1.3/A3	4	13	P3.3	39
31	P1.4/A4	5	12	P3.2	38
32	P1.5/A5	6	11	P3.1	37
33	P1.6/A6	7	10	P3.0	36
34	P1.7/A7	8	9	RESET	35

(+),(-): optional 0.1uf capacitor C1



Adapters-Plus Inc.

P.O. BOX 900
Tracy, Ca 95378
ph.209-839-0200
fax.209-839-0235
email: sales@adapt-plus.com

www.adapt-plus.com

Rev 3/11/97

Page 1 of 1