

PA301-44(-A2)(-BP)(-LD)(Z) Data Sheet

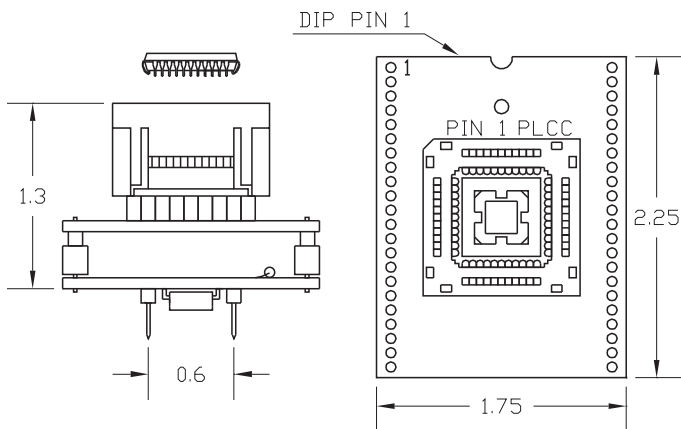
44 pin socket/40 pin DIP 0.6" plug

Supported Device/Footprints

Using these adapter, several devices in the PSD301 family in either PLCC or CLCC package can be programmed on 40 pin DIP programmers.

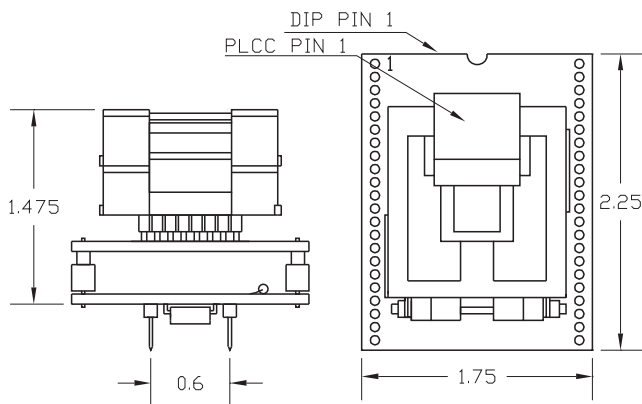
Mfgr	Device		Footprint	
	Device	Package	Programmer	Plug
Waferscale	PSD301	PLCC,	AllPro	40 pin DIP
	302, 303	CLCC	ChipMaster 2000	
	304, 311		ChipMaster 3000	
	312, 313		EE Tools AllMax	
	314			

Adapter Dimensions



Press rim to open socket, Press device to close

PA301-44(-A2)(-BP)(-LD)



PA301-44Z(-A2)(-BP)(-LD)

Adapter Parts & Part Numbers

The following chart shows the various socket and board part numbers that make up these adapters.

Adapter	Socket	Top Board	Bottom Board
PA301-44-A2	44-106 or 44-306 Auto-eject	44PL2-1 or 44PL2-3	44-40-A2 No Switches
PA301-44Z-A2	44-400 Lidded ZIF	44PL2Z	44-40-A2 No Switches
PA301-44-BP	44-106 or 44-306 Auto-eject	44PL2-1 or 44PL2-3	44-40-301 A=Off B=On
PA301-44Z-BP	44-400 Lidded ZIF	44PL2Z	44-40-301 A=Off B=On
PA301-44-LD	44-106 or 44-306 Auto-eject	44PL2-1 or 44PL2-3	44-40-301 A=On B=Off
PA301-44Z-LD	44-400 Lidded ZIF	44PL2Z	44-40-301 A=On B=Off

Adapter Construction

The adapter is made up of 3 sub-assemblies. They assemble via connectors making the adapter modular. This way the sub-assemblies can be replaced when they wear out.

When disassembling the adapter take care not to bend the pins. When reassembling the adapter note the pin 1 indicators to align the parts correctly.

Test Socket

PLCC Auto-Eject test socket:

Yamaichi Part #: IC120-0444-106

LSC Part #: 44-106

Yamaichi Part #: IC120-0444-306

LSC Part #: 44-306

Lidded ZIF socket:

Yamaichi Part #: IC51-0444-400

LSC Part #: 44-400

44PL2-1, -3, -Z

Accepts the test socket and connects to the bottom board.

44-40-301 or 44-40-A2

Performs the wiring shown in the Adapter Wiring section and provides switches when needed.

Switch Settings

Programmer	Group A	Group B
Logical Devices AllPro Replaces ET Adapter: AS-44-40-12P6	ON	OFF
BP Microsystems EP1140 Logical Devices CM3000 Replaces ET Adapter: AS-44-40-15P6	OFF	ON
EE Tools AllMax ChipMaster 2000	No switches	No switches



Adapters-Plus Inc.

P.O. BOX 900

Tracy, Ca 95378

ph.209-839-0200

fax.209-839-0235

email: sales@adapt-plus.com

PA301-44(-A2)(-BP)(-LD)(Z) Data Sheet

Doc: 301-44.DOC

Rev 1/28/97

Page 1 of 2

Adapter Wiring

The following chart shows the connections from the PLCC device to the adapter's DIP plug.

Device	PLUG		
	EE Tools AllMax	LDI AllPro	EP1140 Chipmaster 3000
1	1	3	7
2	4	1	1
3	3	2	2
4	2	NC	NC
5	2	NC	NC
6	2	NC	NC
7	2	NC	NC
8	2	NC	NC
9	2	NC	NC
10	2	NC	NC
11	2	NC	NC
12	20	11	11
13	5	4	4
14	NC	12	12
15	7	13	13
16	8	14	14
17	9	15	15
18	10	16	16
19	11	17	17
20	12	18	18
21	13	19	19
22	14	20	20
23	15	21	21
24	16	22	25
25	17	23	23
26	18	24	24
27	19	25	22
28	21	26	26
29	22	27	27
30	23	28	28
31	24	29	29
32	25	31	31
33	26	32	33
34	20	30-	30-
35	27	33	32
36	28	34	34
37	29	35	35
38	30	36	36
39	31	37	37
40	32	38	38
41	33	5	5
42	34	6	6
43	35	39	39
44	40	40+	40+

30-, 40+ indicate a 0.1uf capacitor between VCC and Gnd.



Adapters-Plus Inc.

P.O. BOX 900
 Tracy, Ca 95378
 ph.209-839-0200
 fax.209-839-0235
 email: sales@adapt-plus.com

www.adapt-plus.com