

# PA28-P54(Z) Data Sheet

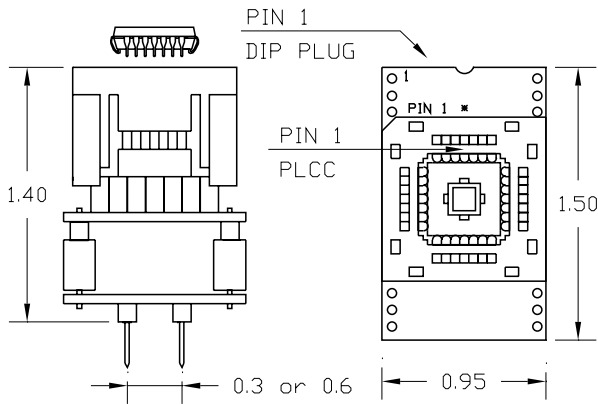
28 pin PLCC socket/18 pin DIP 0.6" plug

## Supported Device/Footprints

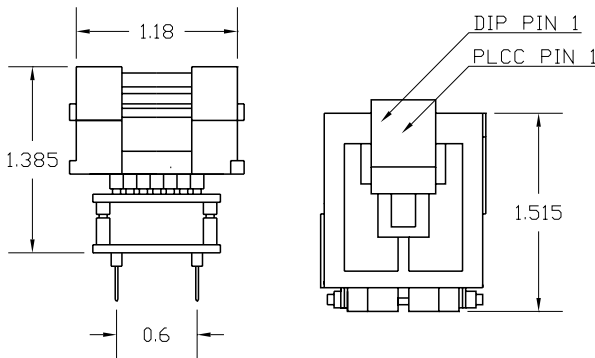
Using this adapter, the Microchip PIC16C54, '56 in PLCC or CLCC package can be programmed on DIP programmers.

Mfgr	Device	Package	Device	Plug Package
Microchip	PIC16C54	PLCC, CLCC	PIC16C54	18 pin DIP

## Adapter Dimensions



PA28-P54



PA28-P54Z

## Adapter Parts & Part Numbers

The following chart shows the various socket and board part numbers that make up these adapters.

Adapter	Socket	Top Board	Bottom Board
PA28-P54	28-508	28LIF	28-P54
PA28-P54Z	28-399	28LIF	28-P54

## Adapter Construction

The adapter is made up of 3 sub-assemblies. They assemble via connectors making the adapter modular. This way the sub-assemblies can be replaced when they wear out.

When disassembling the adapter take care not to bend the pins. When reassembling the adapter note the pin 1 indicators to align the parts correctly.

### Test Socket

PLCC Auto-Eject test socket:

Yamaichi Part #: IC120-0284-508

LSC Part #: 28-508

PLCC Lidded ZIF socket:

Yamaichi Part #: IC51-0284-399

LSC Part #: 28-399

### 28LIF(Z)

Accepts the test socket and connects to the bottom board.

### 28-P54

Performs the wiring shown in the Adapter Wiring section

## Adapter Wiring

The following chart shows the connections from the PLCC device to the adapter's DIP plug.

DEVICE	SIGNAL	PLUG
1	RA2	1
2	RA3	2
3	RTCC	3
4	MCLR	4
5	NC	-
6	NC	-
7	VSS	5
8	VSS	5
9	NC	-
10	NC	-
11	RB0	6
12	RB1	7
13	RB2	8
14	RB3	9
15	VSS	5
16	RB4	10
17	RB5	11
18	RB6	12
19	RB7	13
20	NC	-
21	NC	-
22	VDD	14
23	NC	-
24	NC	-
25	OSC2	15
26	OSC1	16
27	RA0	17
28	RA1	18



**Adapters-Plus Inc.**

P.O. BOX 900  
Tracy, Ca 95378  
ph.209-839-0200  
fax.209-839-0235  
email: sales@adapt-plus.com

www.adapt-plus.com