

PA28-BP55(Z) Data Sheet

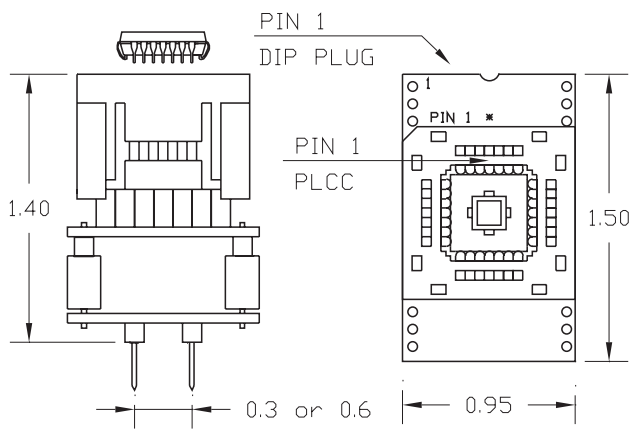
28 pin PLCC socket/28 pin DIP 0.6" plug

Supported Device/Footprints

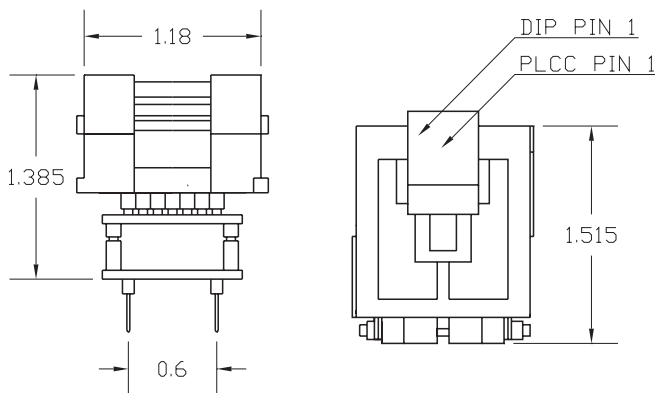
Using this adapter, the Microchip PIC16C55, '57 in PLCC or CLCC package can be programmed on the BP Microsystems CP1128 programmer.

Mfgr	Device	Package	Device	Plug Package
Microchip	PIC16C55	PLCC,	PIC16C55	CP1128
	PIC16C57	CLCC	PIC16C57	

Adapter Dimensions



PS28-BP55



PA28-BP55Z

Adapter Construction

The adapter is made up of 3 sub-assemblies. They assemble via connectors making the adapter modular. This way the sub-assemblies can be replaced when they wear out.

When disassembling the adapter take care not to bend the pins. When reassembling the adapter note the pin 1 indicators to align the parts correctly.

Test Socket

PLCC Auto-Eject test socket:

Yamaichi Part #: IC120-0284-508 LSC Part #: 28-508

PLCC Lidded ZIF test socket:

Yamaichi Part #: IC51-0284-399 LSC Part #: 28-399

28LIF

Accepts the Auto-eject socket and connects to the bottom board.

28LIF-Z

Accepts the ZIF test socket and connects to the bottom board.

28-BP55

Performs the wiring shown in the Adapter Wiring section

Adapter Wiring

The following chart shows the connections from the PLCC device to the adapter's DIP plug.

DEVICE	SIGNAL	PLUG
1	RTCC	1
2	VDD	28
3	NC	3
4	VSS	14
5	NC	5
6	RA0	6
7	RA1	7
8	RA2	8
9	RA3	9
10	RB0	10
11	RB1	11
12	RB2	12
13	RB3	13
14	RB4	4
15	RB5	15
16	RB6	16
17	RB7	17
18	RC0	18
19	RC1	19
20	RC2	20
21	RC3	21
22	RC4	22
23	RC5	23
24	RC6	24
25	RC7	25
26	OSC2	26
27	OSC1	27
28	MCLR	2



Adapters-Plus Inc.

P.O. BOX 900
Tracy, Ca 95378
ph.209-839-0200
fax.209-839-0235
email: sales@adapt-plus.com

www.adapt-plus.com