

# PA28-28-21P(Z)3(6) Data Sheet

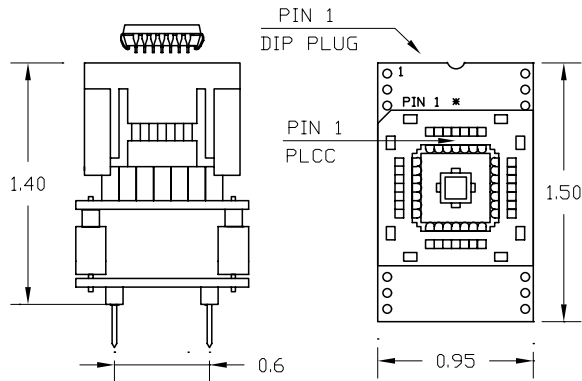
28 pin PLCC socket/28 pin DIP 0.3" or 0.6" plug

## Supported Device/Footprints

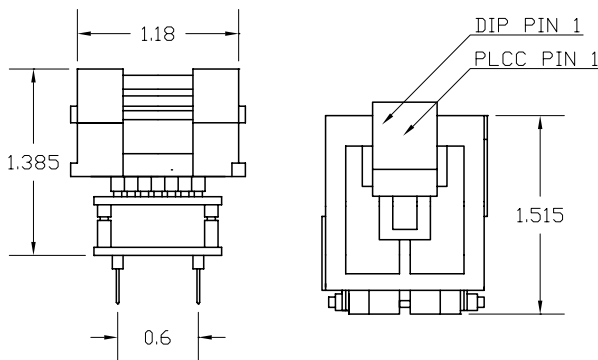
Using this adapter, the Altera EPS 448 in either PLCC or CLCC package can be programmed on BP Microsystems programmers.

Mfgr	Device		Footprint	
	Device	Package	Programmer	Plug
Altera	EPS 448	28 PLCC, CLCC	BP Microsystems	28 DIP

## Adapter Dimensions



PA28-28-21P6



PA28-28-21PZ6

## Adapter Parts & Part Numbers

The following chart shows the various socket and board part numbers that make up these adapters.

Adapter	Test Socket	Top Board	Bottom Board
PA28-28-21P3	28-508	28LIF	28-28-21-3
PA28-28-21PZ3	28-399	28LIFZ	28-28-21-3
PA28-28-21P6	28-508	28LIF	28-28-21-6
PA28-28-21PZ6	28-399	28LIFZ	28-28-21-6

## Adapter Construction

The adapter is made up of 3 sub-assemblies. They assemble via connectors making the adapter modular. This way the sub-assemblies can be replaced when they wear out.

When disassembling the adapter take care not to bend the pins. When reassembling the adapter note the pin 1 indicators to align the parts correctly.

### Test Socket

PLCC Auto-Eject test socket:

Yamaichi Part #: IC120-0284-508

LSC Part #: 28-508

PLCC Lidded ZIF test socket:

Yamaichi Part # IC120-0284-399

LSC Part #: 28-399

### 28LIF(Z)

Accepts the test socket and connects to the bottom board.

### 28-28-21-3(6)

Performs the wiring shown in the Adapter Wiring section.

## Adapter Wiring

The following chart shows the connections from the PLCC device to the adapter's DIP plug.

DEVICE	PLUG
1	7
2	8
3	9
4	10
5	11
6	12
7	13
8	14
9	15
10	16
11	17
12	18
13	19
14	20
15	21
16	22
17	23
18	24
19	25
20	26
21	27
22	28
23	1
24	2
25	3
26	4
27	5
28	6



**Adapters-Plus Inc.**

P.O. BOX 900  
Tracy, Ca 95378  
ph.209-839-0200  
fax.209-839-0235  
email: sales@adapt-plus.com

www.adapt-plus.com