

# PA28-BP54(Z) Data Sheet

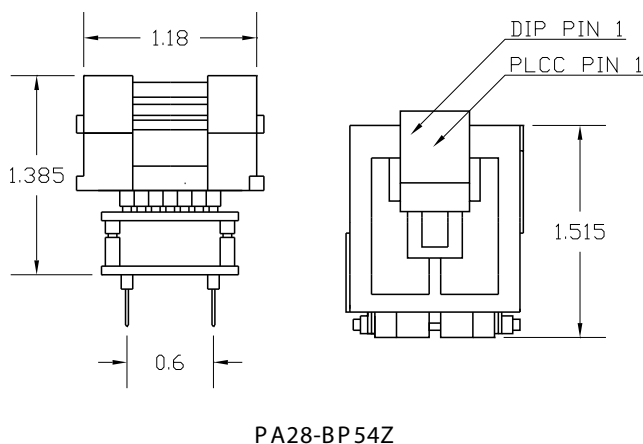
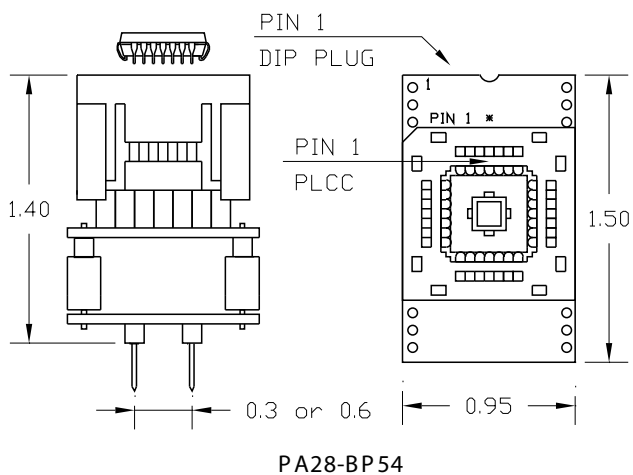
28 pin PLCC socket/18 pin DIP 0.6" plug

## Supported Device/Footprints

Using this adapter, the Microchip PIC16C54, '56 in PLCC or CLCC package can be programmed on the BP Microsystems CP1128 programmer.

Mfgr	Device	Package	Device	Plug
Microchip	PIC16C54	PLCC,	PIC16C54	CP1128
	PIC16C56	CLCC	PIC16C56	

## Adapter Dimensions



## Adapter Construction

The adapter is made up of 3 sub-assemblies. They assemble via connectors making the adapter modular. This way the sub-assemblies can be replaced when they wear out.

When disassembling the adapter take care not to bend the pins. When reassembling the adapter note the pin 1 indicators to align the parts correctly.

### Test Socket

PLCC Auto-Eject test socket:

Yamaichi Part #: IC120-0284-508

LSC Part #: 28-508

PLCC Lidded ZIF socket:

Yamaichi Part #: IC51-0284-399

LSC Part #: 28-399

### 28LIF(Z)

Accepts the test socket and connects to the bottom board.

### 28-BP54

Performs the wiring shown in the Adapter Wiring section

## Adapter Wiring

The following chart shows the connections from the PLCC device to the adapter's DIP plug.

DEVICE	SIGNAL	PLUG
1	RA2	6
2	RA3	7
3	RTCC	8
4	MCLR	9
5	NC	-
6	NC	-
7	VSS	14
8	VSS	14
9	NC	-
10	NC	-
11	RB0	11
12	RB1	12
13	RB2	13
14	RB3	10
15	VSS	14
16	RB4	15
17	RB5	16
18	RB6	17
19	RB7	18
20	NC	-
21	NC	-
22	VDD	23
23	NC	-
24	NC	-
25	OSC2	20
26	OSC1	21
27	RA0	22
28	RA1	19



**Adapters-Plus Inc.**

P.O. BOX 900  
Tracy, Ca 95378  
ph.209-839-0200  
fax.209-839-0235  
email: sales@adapt-plus.com