

PA711L6-QE Data Sheet

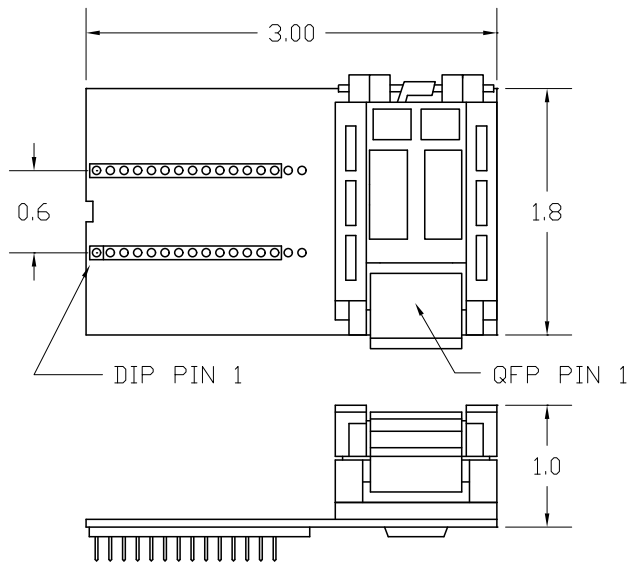
64 pin QFP socket/28 pin DIP 0.6" plug

Supported Device/Footprints

This adapter supports programming OTP or EPROM in Motorola 68HC11L6 devices on 28 pin DIP programmers. The devices must be packaged in the 64 pin QFP package (FU64).

Device			Programmer	
Mfgr	Device	Package	Device	Plug
Motorola	68HC711L6	QFP	27C256	28 pin DIP

Adapter Dimensions



PA711L6-PE

Adapter Construction

The adapter is made up of 2 sub-assemblies. They assemble via connectors making the adapter modular. This way the sub-assemblies can be replaced when they wear out. When disassembling the adapter take care not to bend the pins. When reassembling the adapter note the pin 1 indicators to align the parts correctly.

Test Socket

QFP Lidded ZIF socket

Enplas Part #: FPQ-64-0.8-10A LSC Part #: 64QF-10A

PA711L6-QE

Accepts the test socket and performs the wiring shown in the Adapter Wiring section.

Memory Access

Address	Size	'711L6	27C256 programmer
C000-FFFF	16K Bytes	EPROM	Pgm/Read/Write 0000-3FFF

Adapter Wiring

The following chart shows the connections from the QFP device to the adapter's DIP plug. *14 = 100K Pulldown

DEVICE	SIGNAL	PLUG	PLUG	SIGNAL	DEVICE
1	-OE	22	14	GND	64
2	GND	14	14	GND	63
3	A12	2	14	GND	62
4	A11	23	14	GND	61
5	A10	21	14	GND	60
6	A9	24	-	N/C	59
7	A8	25	-	N/C	58
8	GND	14	-	N/C	57
9	GND	14	14	GND	56
10	GND	14	28	VCC	55
11	GND	14	17	D5	54
12	GND	14	16	D4	53
13	GND	14	15	D3	52
14	GND	14	13	D2	51
15	GND	14	12	D1	50
16	GND	14	14	GND	49
17	GND	14	11	D0	48
18	GND	14	20	-CE	47
19	GND	14	1	VPP	46
20	GND	14	14*	RST-	45
21	GND	14	14	GND	44
22	GND	14	14	GND	43
23	VCC	28	14	GND	42
24	GND	14	14	GND	41
25	GND	14	3	A7	40
26	GND	14	4	A6	39
27	D6	18	5	A5	38
28	N/C	-	6	A4	37
29	D7	19	7	A3	36
30	EXTAL	14*	8	A2	35
31	N/C	-	9	A1	34
32	VCC	28	10	A0	33



Adapters-Plus Inc.

P.O. BOX 900
Tracy, Ca 95378
ph.209-839-0200
fax.209-839-0235
email: sales@adapt-plus.com

www.adapt-plus.com

PA711L6-QE Data Sheet
Doc: 711L6QE.DOC
Rev 2/16/98
Page 1 of 1