

PA7032AP-QFP-06T Data Sheet

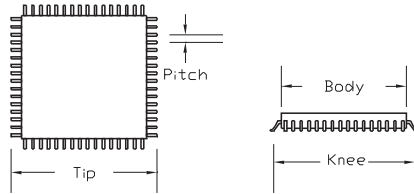
44 pin QFP socket/40 pin DIP 0.6" plug

Supported Device/Footprints

This adapter allows programming of the Altera 7032 in a QFP package using a Logical Devices Allpro programmer.

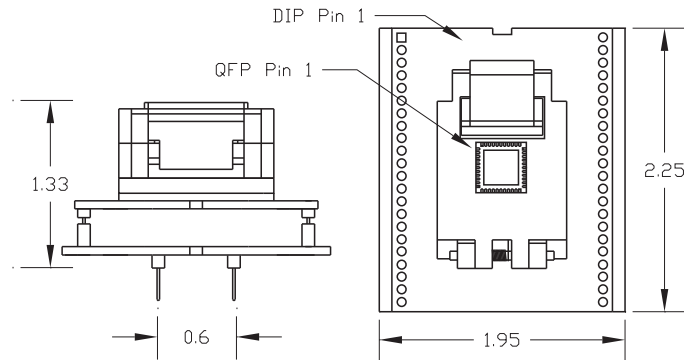
Mfgr	Device	Package	Footprint
Altera	EPM7032xQxx44	PQFP or TQFP	40 Pin DIP (see programmer instructions)

The QFP socket accepts packages with the dimensions listed below:



Body	Knee	Tip	Pitch
10.0 mm typical	11.0 mm typical 11.6 maximum	12 mm typical 13.2 maximum	0.8 mm

Adapter Dimensions



Adapter Construction

The adapter is made up of 3 sub-assemblies. They assemble via connectors making the adapter modular. This way the sub-assemblies can be replaced when they wear out.

When disassembling the adapter take care not to bend the pins. When reassembling the adapter note the pin 1 indicators to align the parts correctly.

Test Socket

QFP test socket:

Enplas Part #: FPQ-44-0.8-06T

LSC Part #: 44QF-06T

44QFP-6T

Accepts the test socket and connects to the bottom board.

AL7032AP

Performs the wiring shown in the Adapter Wiring section.

Adapter Wiring

The following chart shows the connections from the QFP device to the adapter's DIP plug.

DEVICE	SIGNAL	PLUG	PLUG	SIGNAL	DEVICE
1	NTPW	1	29	EDT/VPP	44
2	NTIN	2	28	SK	43
3	VCC	3	31	VSS	42
4	SCK	4	25	SDINB	41
5	SDINA	5	40	MT	40
6	-	6	39	A0	39
7	BE	7	38	A1	38
8	BEM	8	37	A2	37
9	-	9	36	A3	36
10	VCC	10	35	VCC	35
11	-	11	34	A4	34
12	-	12	33	A5	33
13	SS	13	32	A6	32
14	-	14	-	-	31
15	VCC	15	30	VSS	30
16	SBI	16	-	-	29
17	-	17	-	-	28
18	TM	18	27	-	27
19	SDOUTA	19	26	SDOUTB	26
20	-	20	-	-	25
21	SCGA	21	24	SCOB	24
22	VSS	22	23	VCC	23



Adapters-Plus Inc.

P.O. BOX 900
Tracy, Ca 95378
ph.209-839-0200
fax.209-839-0235
email: sales@adapt-plus.com

www.adapt-plus.com

PA7032AP-QFP-06T Data Sheet

Doc: 7032AP-Q.DOC

Rev 3/11/97

Page 1 of 1