

PA18SO1-BP54 Data Sheet

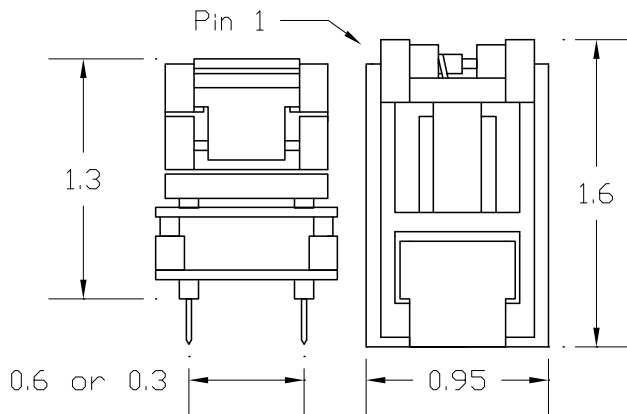
18 pin SO socket/28 pin DIP 0.3" plug

Supported Device/Footprints

Using this adapter, the Microchip PIC16C54 & PIC16C56 in the 18 pin SO package can be programmed on the BP Microsystems CP1128 programmer.

Mfgr	Device		Programmer	
	Device	Package	Device	Plug
Microchip	PIC16C54	18 S O	PIC16C54	CP1128
	PIC16C56		PIC16C56	

Adapter Dimensions



PA18SO1-BP54

Adapter Wiring

The following chart shows the connections from the SOIC device to the adapter's DIP plug.

DEVICE	SIGNAL	PLUG
	N/C	1
	N/C	2
	N/C	3
	N/C	4
	N/C	5
1	RA2	6
2	RA3	7
3	RTCC	8
4	MCLR**	9
5	VSS	14
6	RB0	11
7	RB1	12
8	RB2	13
9	RB3	10
10	RB4	15
11	RB5	16
12	RB6	17
13	RB7	18
14	VDD	23
15	OSC2	20
16	OSC1	21
17	RA0	22
18	RA1	19
	N/C	24
	N/C	25
	N/C	26
	N/C	27
	N/C	28

** Active low

Adapter Construction

The adapter is made up of 2 sub-assemblies. They assemble via connectors making the adapter modular. This way the sub-assemblies can be replaced when they wear out.

When disassembling the adapter take care not to bend the pins. When reassembling the adapter note the pin 1 indicators to align the parts correctly.

Test Socket

SO test socket:

Enplas Part #: FP18(28H)-1.27-08

LSC Part #: 18(28H)SD-08

28SO08

Accepts the test socket.

18SOBP54

Performs the wiring in the Adapter Wiring section and provides the DIP plug.



Adapters-Plus Inc.

P.O. Box 900

Tracy, Ca 95378

ph.209-839-0200

fax.209-839-0235

email: sales@adapt-plus.com

www.adapt-plus.com

PA18SO1-BP54 Data Sheet

Doc: 18SOBP54.DOC

Rev 5/8/97

Page 1 of 1