

PA12C-xxxx-S4 Data Sheet

8 Pin test socket/18 Pin DIP 0.3" plug

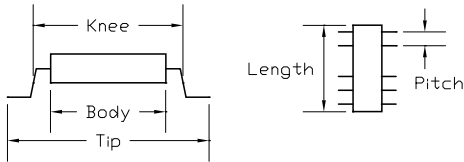
Supported Device/Footprints

These adapters allow programming of Microchip PIC 12Cxxx devices on the Dataman S4 programmer.

There is one adapter for the 8 pin DIP and another adapter for the 8 pin SOP (200 mil body).

See the S4's software for specific devices.

The SOP socket accepts packages with the dimensions listed below:

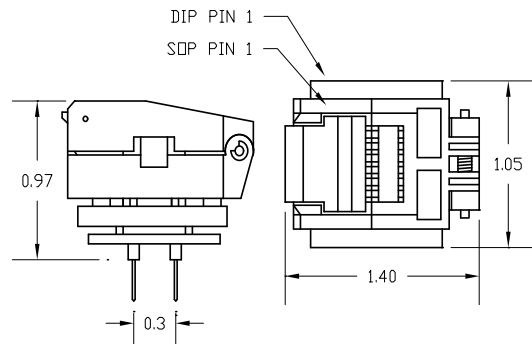


Dimensions in mm (inches):

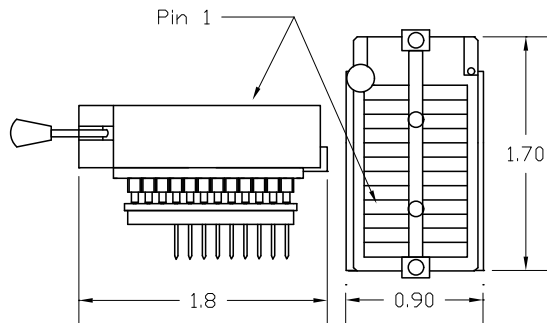
| Body | Knee | Tip |
|------------------|------------------|------------------|
| 4.9 (0.193) min. | n/a min | 7.65 (0.301) min |
| 5.3 (0.208) t yp | 6.8 (0.268) t yp | 7.8 (0.307) t yp |
| 5.4 (0.213) max | 7.1 (0.279) max | n/a max |

| Pitch | Length |
|--------------|--------|
| 1.27 (0.050) | n/a |

Adapter Dimensions



PA12C-2006-S4



PA12C-8D3-S4

Adapter Construction

These adapters are made up of 3 sub-assemblies. They assemble via connectors making the adapter modular. This way the sub-assemblies can be replaced easily.

When disassembling the adapter take care not to bend the pins. When reassembling the adapter note the pin 1 indicators to align the parts correctly.

The following chart lists the adapters described by this datasheet and their subassemblies.

| Adapter | Device Package | Socket | Top Board | DIP Plug Footprint |
|---------------|----------------|------------|-----------|--------------------|
| PA12C-2006-S4 | 8 SOP 200 | 8(20)SD-06 | 12CS4-SO | 0.3" |
| PA12C-8D3-S4 | 8 DIP 300 | 0803ADZ | 12CS4-D | 0.3" |

Test Sockets

| LSC # | Style | Mfgr/P n |
|-------------|------------|--------------------------|
| 8(20H)SD-06 | Lidded ZIF | Enplas FP-8(20H)-1.27-06 |
| 0803ADZ | Lever ZIF | Aries 24-3554-11* |

*Aries socket is depopulated to 8 pins

The socket is depopulated to fit the device. It is depopulated at the Pin 1 end. The socket is also removable. If you remove the socket be sure to replace it as shown in the drawings on this datasheet.

Adapter Wiring

The following chart shows the connections from the device to the adapter's DIP plug.

| DEVICE | SIGNAL | PLUG |
|--------|--------|------|
| | N/C | 1 |
| | N/C | 2 |
| | N/C | 3 |
| | N/C | 6 |
| | N/C | 7 |
| | N/C | 8 |
| 1 | VDD | 14 |
| 2 | N/C | - |
| 3 | N/C | - |
| 4 | VPP | 4 |
| 5 | N/C | - |
| 6 | CLK | 12 |
| 7 | DATA | 13 |
| 8 | GND | 5 |
| | N/C | 9 |
| | N/C | 10 |
| | N/C | 11 |
| | N/C | 15 |
| | N/C | 16 |
| | N/C | 17 |
| | N/C | 18 |



Adapters-Plus Inc.

P.O. Box 900
Tracy, Ca 95378
ph.209-839-0200
fax.209-839-0235
email: sales@adapt-plus.com