

PA-SOD-2806-xx Data Sheet

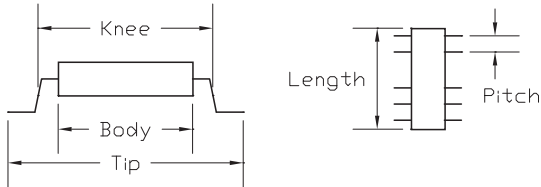
8-28 pin SO socket/28 pin SO receptacle
(SO-Plugs NOT included)

Supported Device/Footprints

Using this adapter, various pin count SO packages with a body width of 8.0mm - 8.5mm and lead pitch of 1.27mm can be socketed over their PCB footprints.

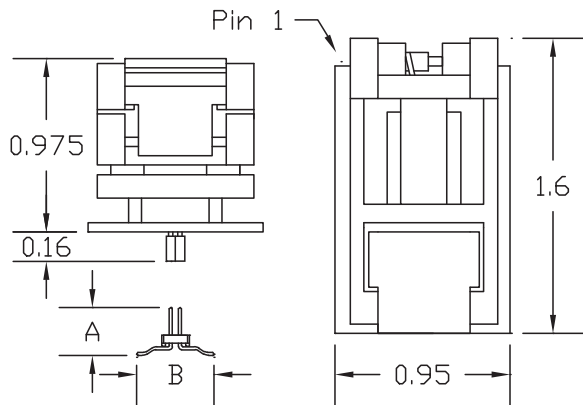
Device Dimensions

This socket accepts devices with the following dimensions:



Body mm (inches)			Knee mm (inches)		
min.	typ.	max.	min.	typ.	max.
8.0 (0.315)	8.4 (0.331)	8.5 (0.335)	n/a	10.2 (0.402)	10.3 (0.406)
Tip mm (inches)			Body Length	Lead Pitch	
min.	typ.	max.	n/a	1.27 (0.050)	
10.8 (0.425)	12.0 (0.472)	n/a			

Adapter Dimensions



SO Plugs

SO Plugs are required to connect this adapter to the prototype. They are available separately. The two most common plugs are shown in the following chart. Other SO-Plugs will also mate with this adapter, contact us if you want assistance matching plugs to this adapter.

Plug Kit	A	B
PA-SOF-D420-xx	0.260"	0.420"
PA-SOF-D470-xx	0.240"	0.470"

Adapter Construction

The adapter is made up of 2 sub-assemblies. They assemble via connectors making the adapter modular. This way the sub-assemblies can be replaced when they wear out.

When disassembling the adapter take care not to bend the pins. When reassembling the adapter note the pin 1 indicators to align the parts correctly.

The following chart lists the adapters described by this datasheet and their subassemblies.

Adapter	Socket	Board
PA-SOD-2806-28	28SD-06	2806SOD
PA-SOD-2806-24	24(28H)SD-06	2806SOD
PA-SOD-2806-20	20(28H)SD-06	2806SOD
PA-SOD-2806-18	18(28H)SD-06	2806SOD
PA-SOD-2806-16	16(28H)SD-06	2806SOD
PA-SOD-2806-14	14(28H)SD-06	2806SOD
PA-SOD-2806-08	08(28H)SD-06	2806SOD

Test Sockets

LSC #	Style	Mfgr/Pn
28SD-06	Lidded ZIF	Enplas FP-28-1.27-06
xx(28H)SD-06	Lidded ZIF	Enplas FP-xx(28H)-1.27-06

Notes

- The xx(28)SD-06 sockets are depopulated 28SD-06 sockets. A "dam" is added to prevent incorrect alignment of the device.
- The 28 pin test socket can be used for the reduced pin counts. The test socket has divider fingers that keep the device leads on their contacts. With modest care a reduced pin count device can be correctly aligned in the test socket.
- For all versions of the adapter, the board provides 28 positions to receive the SO-Plug. When using plugs with less than 28 pins orient the plug and the device, **away** from the pin 1 end of the board.

Wiring

Wiring is 1 to 1. Pin 1 of the SO device is wired to pin 1 of the plug. Pin 2 to pin 2 and so on around the adapter.



Adapters-Plus Inc.

P.O. Box 900
Tracy, Ca 95378
ph.209-839-0200
fax.209-839-0235
email: sales@adapt-plus.com