

# PA-SOD-2006-xx Data Sheet

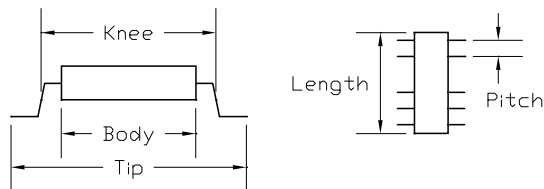
8-20 pin SO socket/20 pin SO receptacle  
(SO-Plugs NOT included)

## Supported Device/Footprints

Using this adapter, various pin count SO packages with a body width of 4.9mm - 5.4mm and lead pitch of 1.27mm can be socketed over their PCB footprints.

## Device Dimensions

This socket can accept devices of the following dimensions:

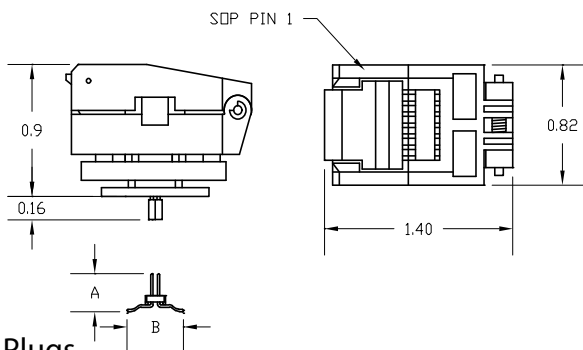


Body mm (inches)			Knee mm (inches)		
min.	typ.	max.	min.	typ.	max.
4.9 (0.193)	5.3 (0.208)	5.4 (0.213)	n/a	6.8 (0.268)	7.1 (0.279)

Tip mm (inches)			Body Length	Lead Pitch
min.	typ.	max.	n/a	1.27 (0.050)
7.65 (0.301)	7.8 (0.307)	n/a		

## Adapter Dimensions



## SO Plugs

SO Plugs are required to connect this adapter to the prototype. They are available separately. The two most common plugs are shown in the following chart. Other SO-Plugs will also mate with this adapter, contact us if you want assistance matching plugs to this adapter.

Plug Kit	A	B
PA-SOF-D250-xx	0.310"	0.250"
PA-SOF-D310-xx	0.270"	0.310"

## Adapter Construction

The adapter is made up of 2 sub-assemblies. They assemble via connectors making the adapter modular. This way the sub-assemblies can be replaced when they wear out.

When disassembling the adapter take care not to bend the pins. When reassembling the adapter note the pin 1 indicators to align the parts correctly.

The following chart lists the adapters described by this datasheet and their subassemblies.

Adapter	Test Socket	Board
PA-SOD-2006-20	20SD-06	20SOD06
PA-SOD-2006-18	18(20)SD-06	20SOD06
PA-SOD-2006-16	16(20)SD-06	20SOD06
PA-SOD-2006-14	14(20)SD-06	20SOD06
PA-SOD-2006-08	08(20)SD-06	20SOD06

## Test Sockets

LSC #	Style	Mfgr/P n
20SD-06	Lidded ZIF	Enplas FP-20-1.27-06
xx(20)SD-06	Lidded ZIF	Enplas FP-xx(20H)-1.27-06

## Notes

- The xx(20)SD-06 sockets are depopulated 20SD-06 sockets. A "dam" is added to prevent incorrect alignment of the device.
- The 20 pin version can be used for the reduced pin counts. The test socket has divider fingers that keep the device leads on their contacts. With modest care a reduced pin count device can be correctly aligned in the 20 pin test socket.
- For all versions of the adapter, the board provides 20 positions to receive the SO-Plug. When using plugs with less than 20 pins orient the plug and the device, away from the pin 1 end of the board.

## Wiring

Wiring is 1 to 1. Pin 1 of the SO device is wired to pin 1 of the plug. Pin 2 to pin 2 and so on around the adapter.



**Adapters-Plus Inc.**

P.O. Box 900  
Tracy, Ca 95378  
ph.209-839-0200  
fax.209-839-0235  
email: sales@adapt-plus.com

www.adapt-plus.com