

PA754SS752 Data Sheet

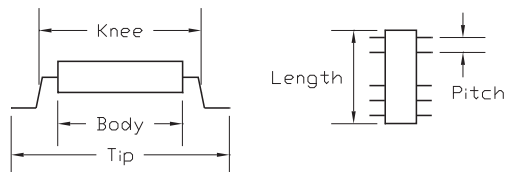
28 Pin SSOP socket/28 Pin DIP 0.6" plug

Supported Device/Footprints

The PA754D752 adapter allows programming of the Phillips 87C754 in a 28 pin SSOP package on programmers capable of programming the 87C752 in a 28 pin DIP package.

Mfgr	Socket Device	Socket Package	Device	Plug Package
Phillips	87C754	28 SSOP	87C752	28 DIP

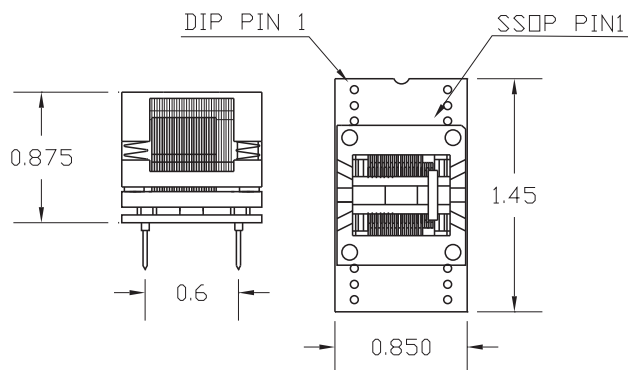
The SSOP socket accepts packages with the dimensions listed below:



Body	Knee	Tip
5.3mm typical 5.7 maximum	6.4mm typical	7.8mm typical 8.0 maximum

Pitch	Length
0.65mm	10.64mm maximum

Adapter Dimensions



Adapter Construction

The adapter is made up of 2 sub-assemblies. They assemble via connectors making the adapter modular. This way the sub-assemblies can be replaced when they wear out.

When disassembling the adapter take care not to bend the pins. When reassembling the adapter note the pin 1 indicators to align the parts correctly.

Test Socket

SSOP Open top test socket:

Enplas Part #: OTS-28(34)-0.65-01 LSC Part #: 28SG-01

754SS752

Accepts the test socket and remaps the signals for the DIP footprint.

Adapter Wiring

The following chart shows the connections from the SSOP device to the adapter's DIP plug.

DEVICE	SIGNAL	PLUG
1	D4	17
2	D5	20
3	D6	21
4	D7	22
5	RST	9
6	X2	10
7	X1	11
8	VSS	12
9	A2	3
10	A3	2
11	A4	1
12	A5	27
13	AVSS	18
14	AVCC	19
15	N/C	-
16	N/C	-
17	PGM	7
18	A6	26
19	ASEL	8
20	A7	25
21	VPP	6
22	VCC	28
23	A1	4
24	A0	5
25	D0	13
26	D1	14
27	D2	15
28	D3	16



Adapters-Plus Inc.

P.O. Box 900
Tracy, Ca 95378
ph.209-839-0200
fax.209-839-0235
email: sales@adapt-plus.com